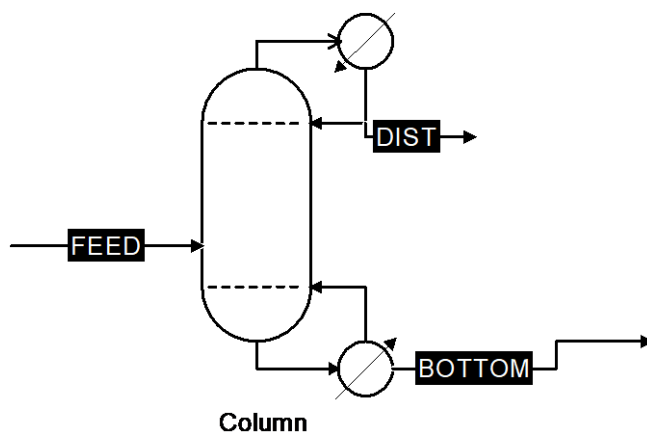


Description – Ethyl Acetate and Toluene Separation.

Process Flow Diagram:



Process Description:

The feed mixture of Ethyl acetate and toluene is fed to the column where the ethyl acetate purity 99.6% (Wt) recovered as main product.

Operating Conditions:

Flow Rate: 874 Kg/hr.

Pressure: Column is operating under atmospheric pressure.

Temperature: 76.85°C -110.5°C.

Column Internals: Structured Packing for the column.

Design Purity: 99.6 % (Wt).

Experience:

The S-Cube has designed and supplied this separating system.