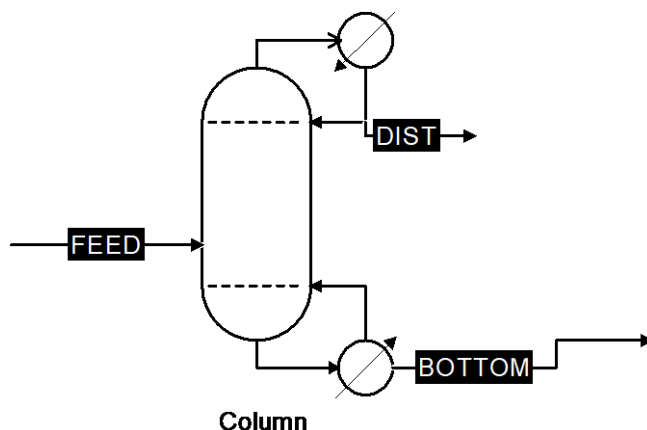


## Description – Ethyl Acetate, Toluene and MDC Separation.

### Process Flow Diagram:



### Process Description:

The feed mixture of Ethyl acetate, toluene and MDC is fed to the column where the MDC purity 99.6% (Wt) is recovered as main product.

### Operating Conditions:

Flow Rate: 1062 Kg/hr.

Pressure: Column is operating under atmospheric pressure.

Temperature: 42°C -86.69°C.

Column Internals: Structured Packing for the column.

Design Purity: 99.6 % (Wt).

### Experience:

The S-Cube has designed and supplied this separating system.

