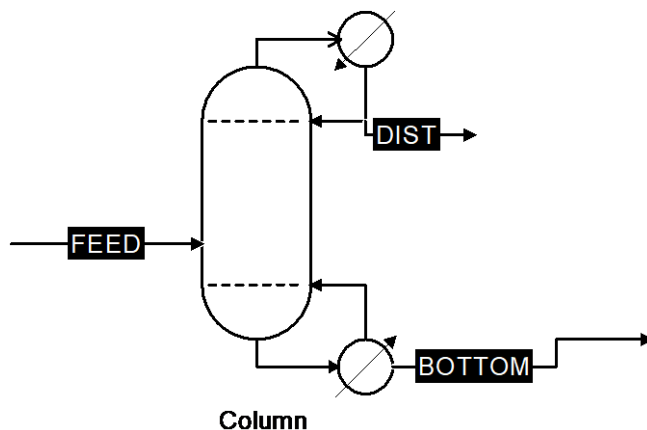


## Description – Ethyl Acetate and MDC Separation.

### Process Flow Diagram:



### Process Description:

The feed mixture of Ethyl acetate and MDC is fed to the column where the ethyl acetate purity 99.8% (Wt) recovered as main product.

### Operating Conditions:

Flow Rate: 950 Kg/hr.

Pressure: Column is operating under atmospheric pressure.

Temperature: 39.38°C -77.2°C.

Column Internals: Structured Packing for the column.

Design Purity: 99.8 % (Wt).

### Experience:

The S-Cube has designed and supplied this separating system.