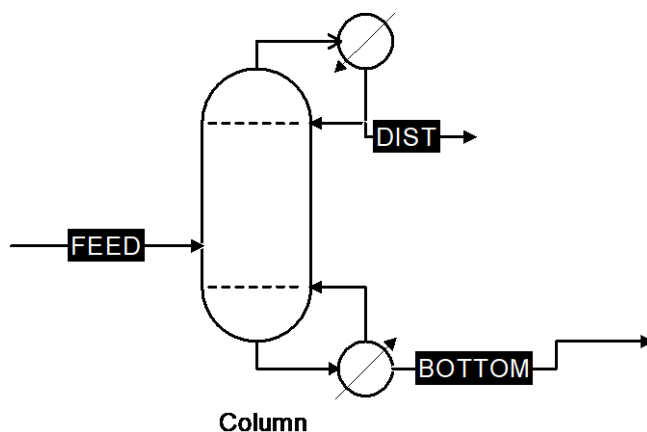


## Description – Acetone and DMF Separation.

### Process Flow Diagram:



### Process Description:

The feed mixture of Acetone and DMF is fed to the column where the acetone purity is 99.9% Wt recovered as a main product.

### Operating Conditions:

Flow Rate: 851 Kg/hr.

Pressure: Column is operating under atmospheric pressure.

Temperature: 56.58°C -150.76°C.

Column Internals: Structured Packing for the column.

Design Purity: 99.9 % (Wt).

### Experience:

The S-Cube has designed and supplied separating systems.

