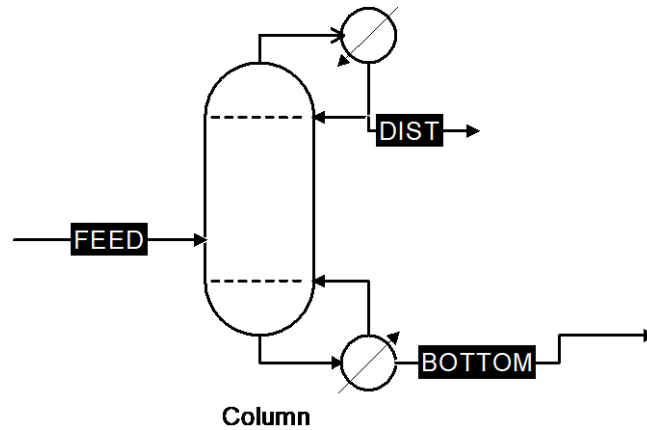


Description - Acetic Acid and Water Separation.

Process Flow Diagram:



Process Description:

The feed mixture of Acetic Acid and Water is fed to the column where the process carried to get the pure acetic acid.

Operating Conditions:

Flow Rate: 399 Kg/hr.

Pressure: Column is operating under atmospheric pressure.

Temperature: 99.66°C -117.86°C.

Column Internals: Structured Packing for the column.

Design Purity: 99.7% (Wt).

Experience:

The S-Cube has designed and supplied separating systems.

